

# Meraki MR58

Hardware Setup Guide

## **Trademarks**

Meraki, Meraki MR58, Meraki Cloud Controller, and Meraki Mesh are trademarks of Meraki, Inc. Other brand and product names are registered trademarks or trademarks of their respective holders.

## **Statement of Conditions**

In the interest of improving internal design, operational function, and/or reliability, Meraki reserves the right to make changes to the products described in this document without notice. Meraki does not assume any liability that may occur due to the use or application of the product(s) or circuit layout(s) described herein.

## **Warranty**

Meraki, Inc. provides a limited warranty on this product. Warranty details may be found at [www.meraki.com/legal](http://www.meraki.com/legal).

# Contents

- System Overview 3
- Understanding the MR58 5
- Pre-Site Preparation 8
- On-Site Instructions 8
- Troubleshooting 18
- Regulatory Information 19

## System Overview

The Meraki MR58 is an enterprise-class, three radio, 802.11n access point designed for rugged environments. When connected to the Meraki Cloud Controller™, the MR58 enables the creation of high-speed and reliable networks that cover large outdoor and industrial areas quickly, easily and cost-effectively.

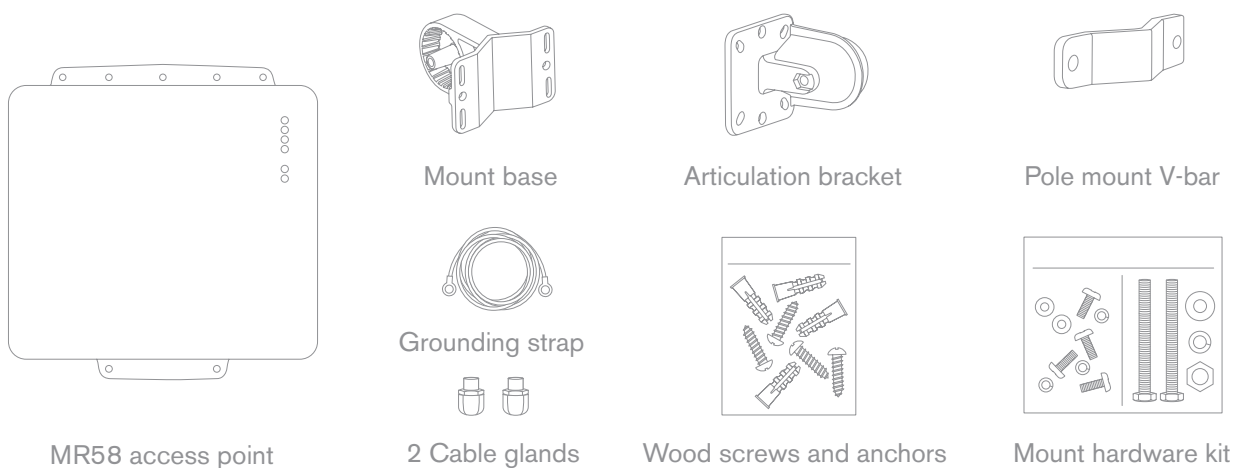
### Meraki MR58

An MR58 system consists of four basic components: the access point, the mounting system, the Power over Ethernet system, and the antennas. The following section describes each component in more detail.

### MR58 Access Point

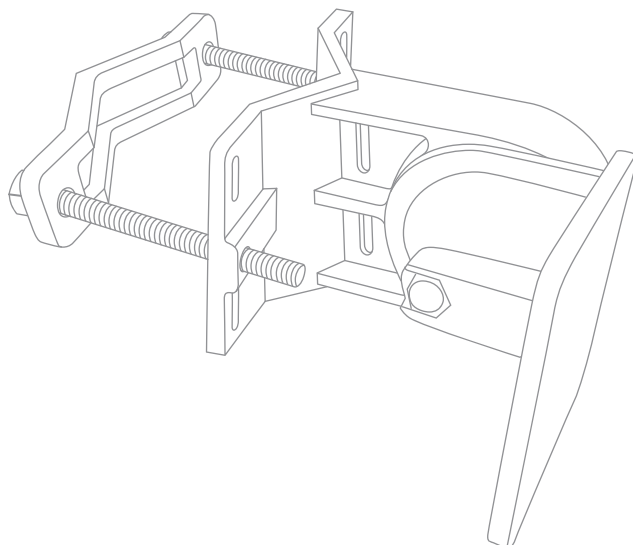
The MR58 Access Point is the core of the system. It contains three 802.11n radios integrated into a ruggedized, weatherproof enclosure.

This MR58 package contains the following:



### Mounting System

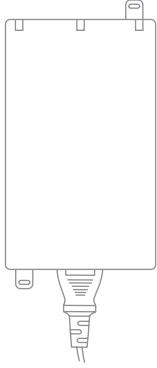
The MR58 mounting system (included) allows you to attach the MR58 to walls, ceilings and poles.



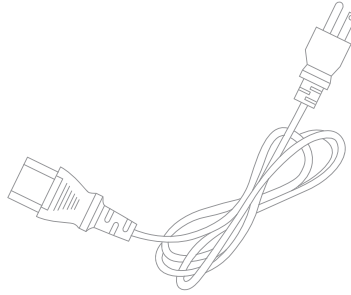
## Power System - Power over Ethernet (PoE)

The Meraki MR58 accepts Power over Ethernet (802.3af); the Meraki PoE 802.3af injector is sold separately. Instructions contained in this setup guide assume your MR58 will be powered by the Meraki PoE 802.3af injector.

The power system contains the following:



802.3af PoE power source (either PoE switch or Meraki 802.3af PoE Injector)



Country-specific AC power cable

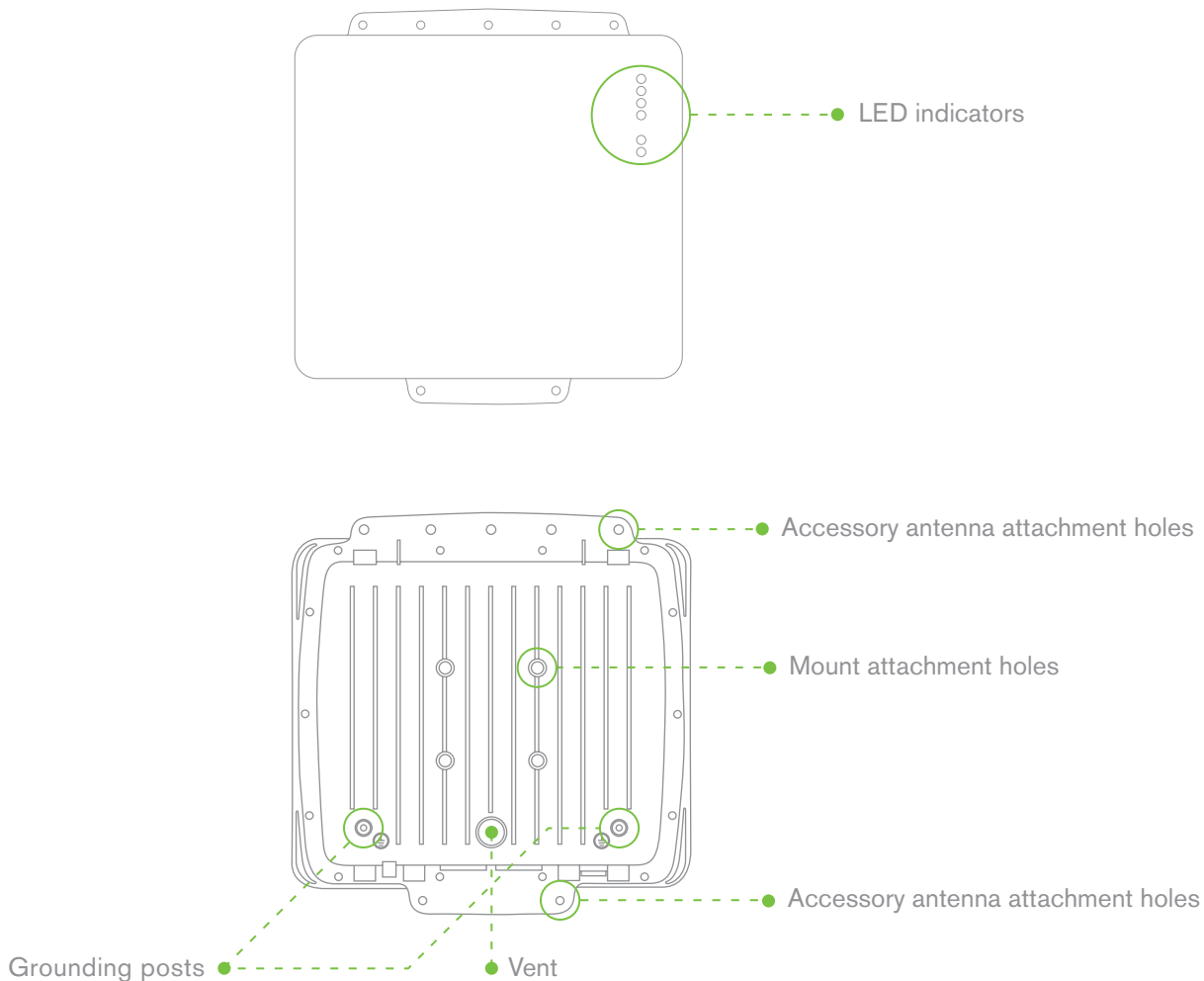
## Antennas

The Meraki MR58 has three 802.11n radios. Each radio has two external antenna connectors; both connectors for a particular radio should be attached to the same type of antenna.

Meraki offers a number of different antennas for use with the MR58. Alternately, you may purchase 3rd party antennas for use with the MR58. Make sure they have N-type connectors and support the proper frequency band (2.4 or 5GHz).

## Understanding the MR58

Your Meraki MR58 has the following features:



### Vent




The vent allows pressure and humidity equalization between the interior and the environment. This prevents internal condensation and maintains a water proof seal.

### Grounding Post

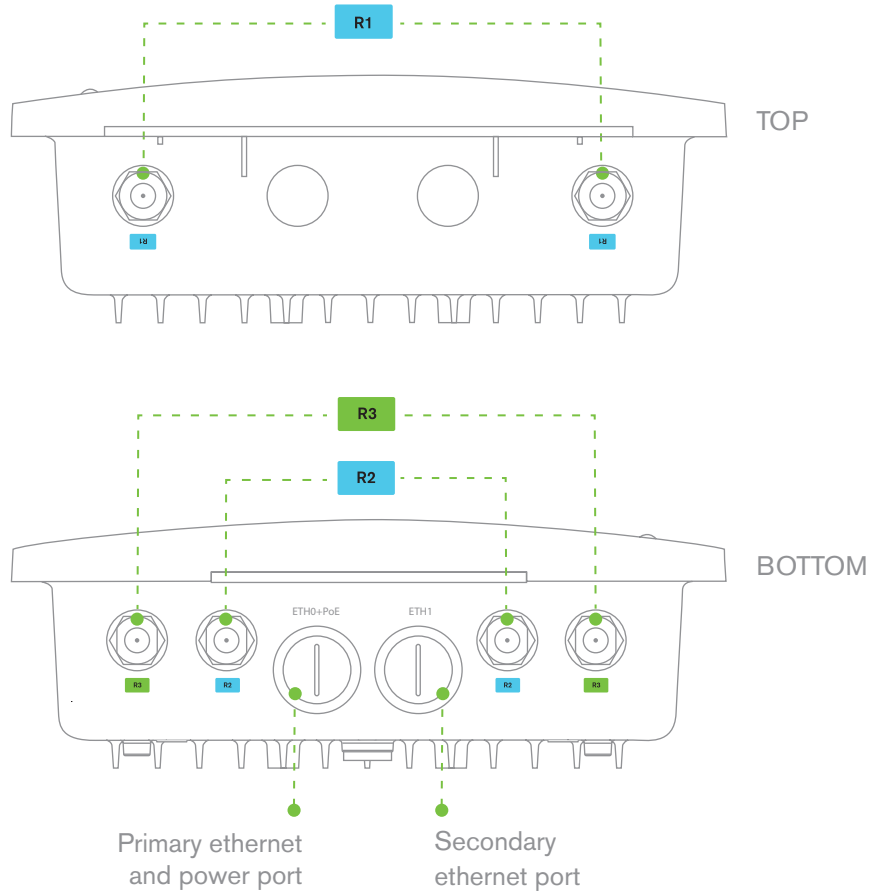
Provides an attachment point on the Access Point for the grounding strap (included). This post is threaded to accept a M4 x 0.7mm bolt

## Understanding the LED Indicators

Your MR58 is equipped with a series of LED lights on the front of the unit to convey information about system functionality and performance.

-  **Signal Strength**
  - One Light:** Fair
  - Four Lights:** Strongest
  - Moving Lights:** Searching for signal
  - Flashing Lights:** Error state. May indicate bad gateway or other routing fault
-  **Ethernet**
  - Off:** No active network connection on either ethernet port
  - On:** An active network connection is connected to either Eth0 or Eth1
  - Flashing:** Error state. May indicate bad gateway or other routing fault
-  **Radio Power**
  - Off:** MR58 is off
  - On – Orange:** MR58 is booting or trying to find a path to the internet
  - On – Green:** MR58 is fully operational and connected to the network
  - Flashing – Orange:** Firmware is upgrading
  - Flashing – Green:** Error state. May indicate bad gateway or other routing fault

## Understanding the Ports



---

**R1** and **R2** are 5GHz radios for mesh or client communication. Each radio has two external N-type connectors. **R3** is a 2.4GHz radio primarily used for client communication. However, it can also communicate with Meraki 2.4GHz access points. This radio has two external N-type connectors.

## Pre-Site Preparation

You should complete the following steps before going on-site to perform the installation.

### Collect Tools

You will need the following tools to perform your installation:

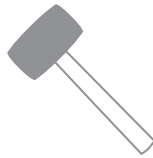
#### Required



Straight-slot screwdriver



9/16" (13mm) wrenches



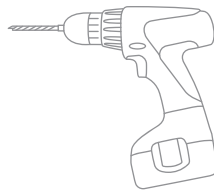
Rubber mallet



Phillips screwdriver



Adjustable wrench

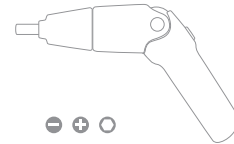


Drill with appropriate bits for mounting wall anchors (if mounting to a wall)

#### Recommended



Tin snips (if mounting with hose clamps)



Power screwdriver with 5/16" (8 mm) nut driver, Phillips & flat heads

### Collect Additional Hardware for Installation

#### Required

Network cables with RJ45 connectors long enough for your particular mounting location

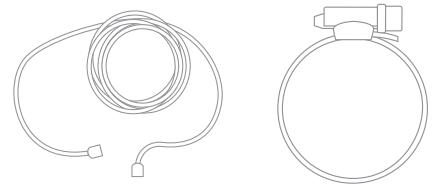
Connection to the internet (if you are setting up your MR58 as a gateway to the internet)

Appropriately sized metal straps (if mounting to a pole larger than 3.0" in diameter)

Specialized mounting hardware if mounting to surface other than wood, stucco or stone

#### Recommended

Laptop with wireless to verify setup



## Configure Your Network in Dashboard

We recommend that you add your MR58 to a network in Dashboard before mounting it in the field.

1. Login to <http://dashboard.meraki.com>. If this is your first time, create a new account.
  2. Find the network to which you plan to add your nodes.
  3. Add your nodes to your network. You will need your Meraki order number (found on your invoice) or the serial number of each node, which looks like Q2xx-xxxx-xxxx, and is found on the bottom of the unit.
  4. Finally, go to the map view and place each node on the map by clicking and dragging it to the location where you plan to mount it. You can always modify the location later.
- \* If you do choose to add the node to Dashboard after the installation, make sure to write down the serial number and MAC address of the unit before installing.

## On-Site Instructions

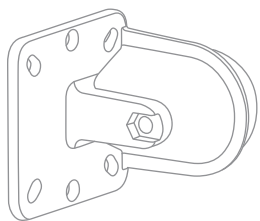
### Find a Good Mounting Location

A good mounting location is important to getting the best performance out of your MR58 Access Point. Keep the following in mind:

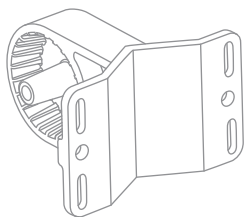
1. The Power over Ethernet System supports a maximum cable length of 100m. The Power over Ethernet Adapter and Injector are not rated for outdoor use, and must be installed indoors or in a weatherproof outdoor-rated enclosure.
2. The Meraki MR58 should have line of sight to as many other Meraki devices as possible. If being installed as a repeater, special care should be taken to optimize the view in the direction of the closest known gateway.
3. The antennas should be as unobstructed as possible. Make sure that there is clearance around the MR58 for installation of all of your chosen antennas.

## Mount the MR58

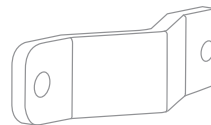
Your mounting system contains the following:



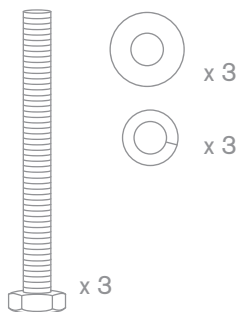
Articulating bracket



Mount base



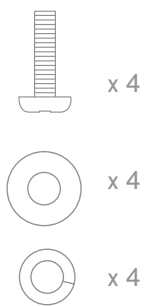
Pole mount V-bar



M8 x 110  
screws and washers



M8 nut

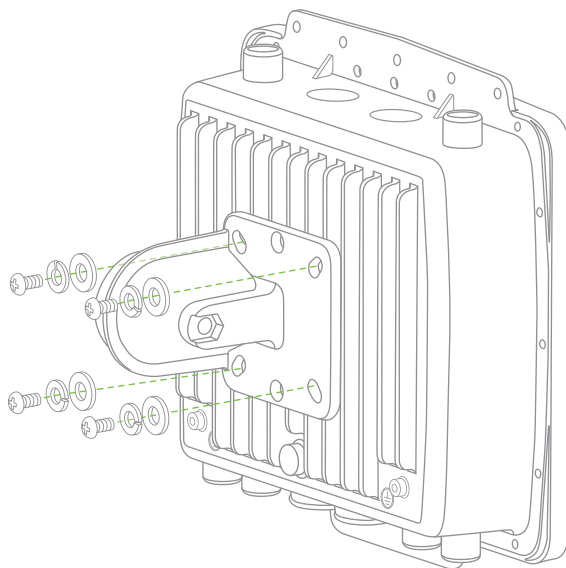


M5 x 12  
screws and washers



Wood screws and anchors

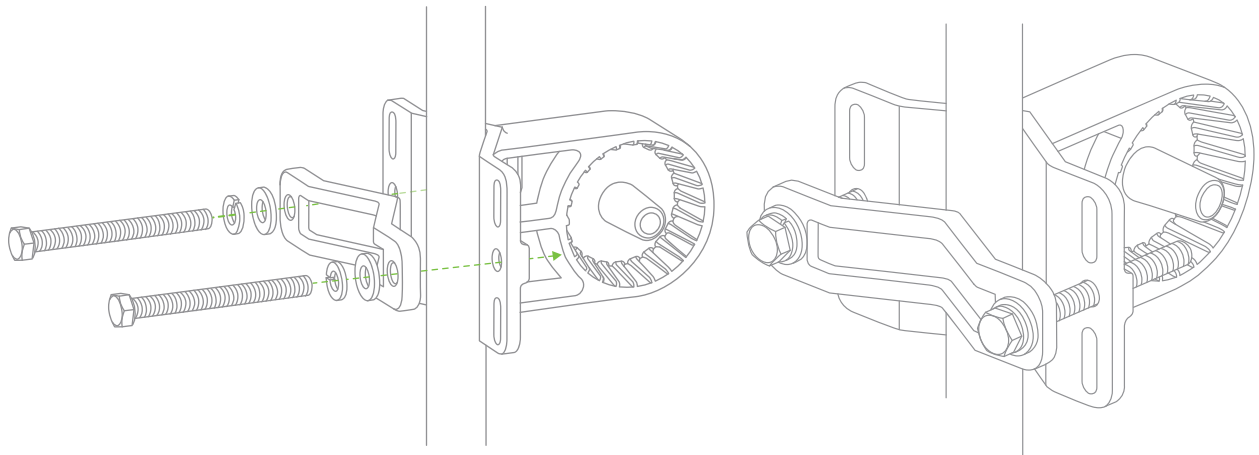
1. Attach the articulating bracket to back of the MR58 using M5 screws and washers.



2. Attach mount base to mounting structure (pole, wall or ceiling). Before tightening fasteners, make sure that the MR58 will be pointing in the correct direction after mounting.

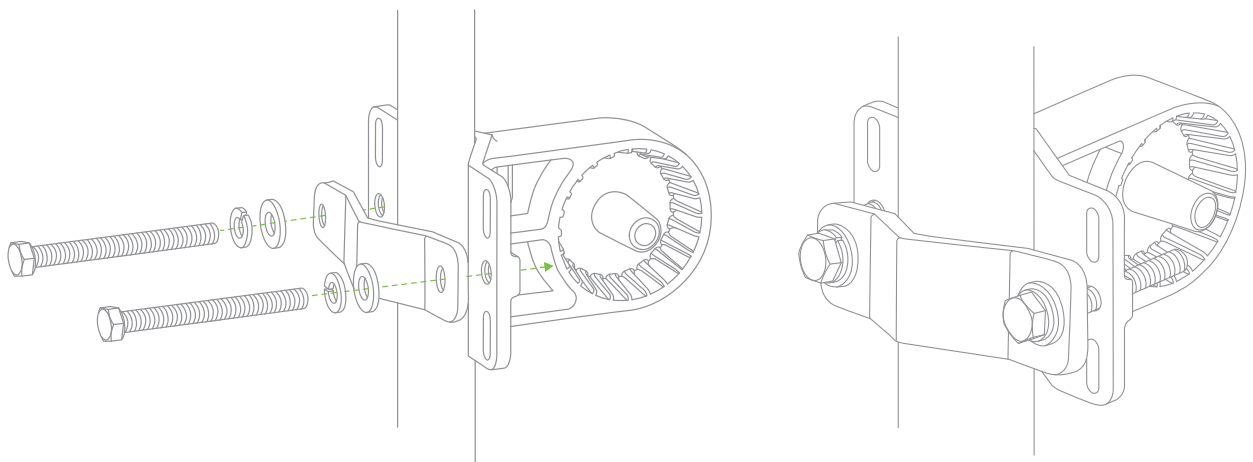
Mounting for poles less than 1.5" (35mm)

Attach mount base and V-bar to pole as shown using M8 bolts and washer.



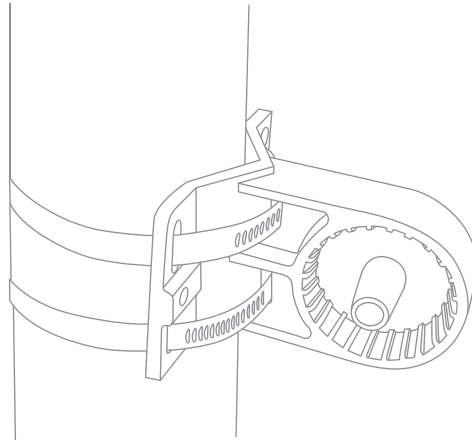
Mounting for poles less than 3" (80mm) and larger than 1.5" (35mm)

Attach mount base and V-bar to pole as shown using M8 bolts and washers.



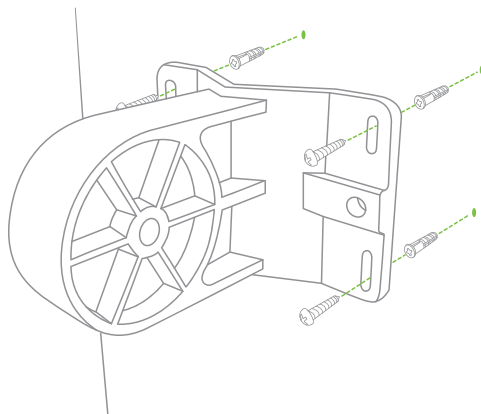
### Mounting for poles larger than 3" (80mm)

Attach mount base to pole using appropriately-sized metal straps (not included).



### Mounting on walls

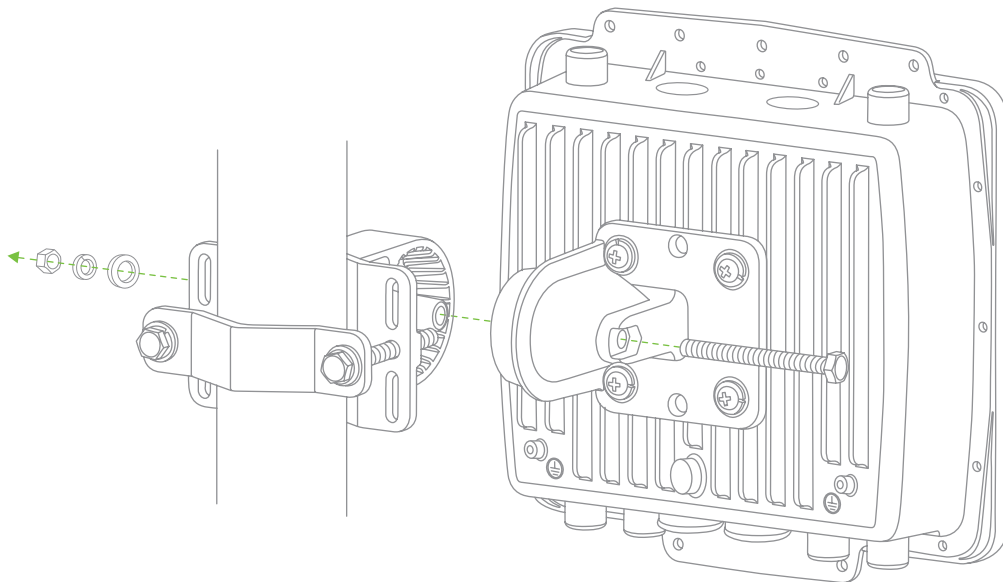
Using appropriate wall anchors and screws for the surface you are mounting to (if mounting to wood, stucco or stone, use anchors and screws included with mount), attach the mount base to your mounting wall.





Remaining mounting steps are illustrated assuming the MR58 is mounted to a pole between 1.5 - 3" in diameter; however, instructions are the same regardless of what the access point is mounted to.

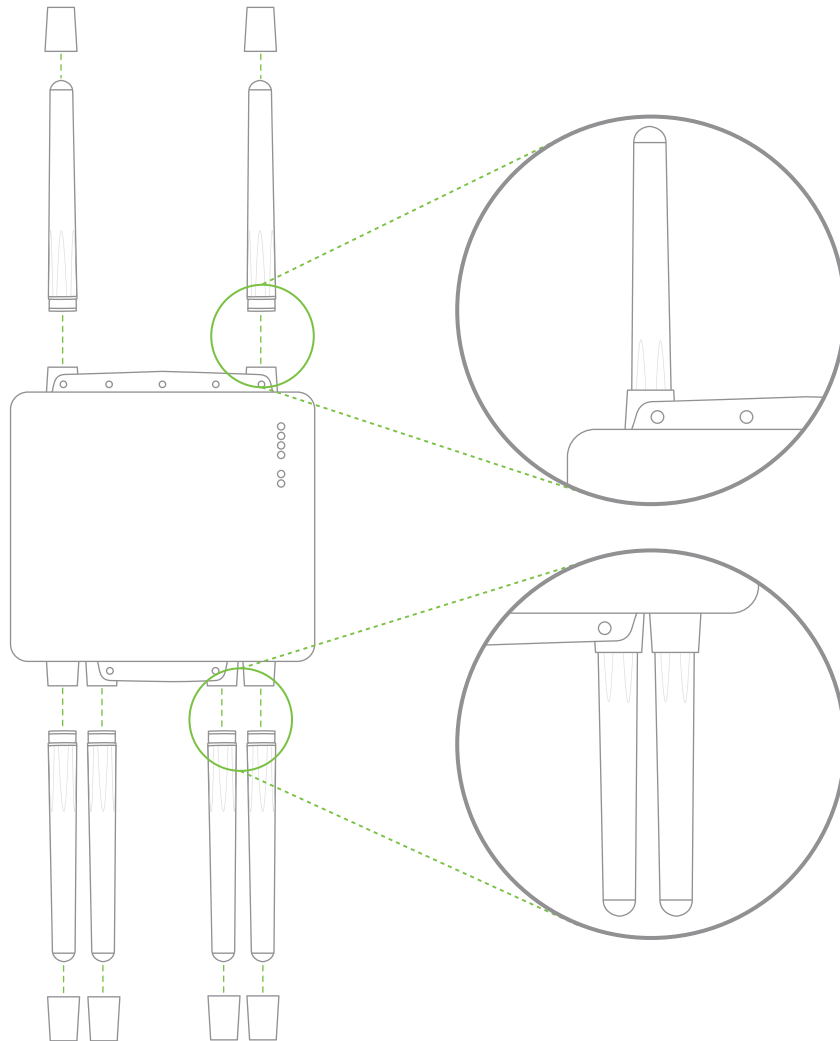
3. **Attach the articulating bracket to the mount base using a M8x110 bolt, nut and washers. Do not over-tighten the central bolt because the articulating bracket and mount base are hard to separate after they are firmly assembled together.**



Omni antennas perform best in a mesh network when oriented vertically.

## Attach Antennas

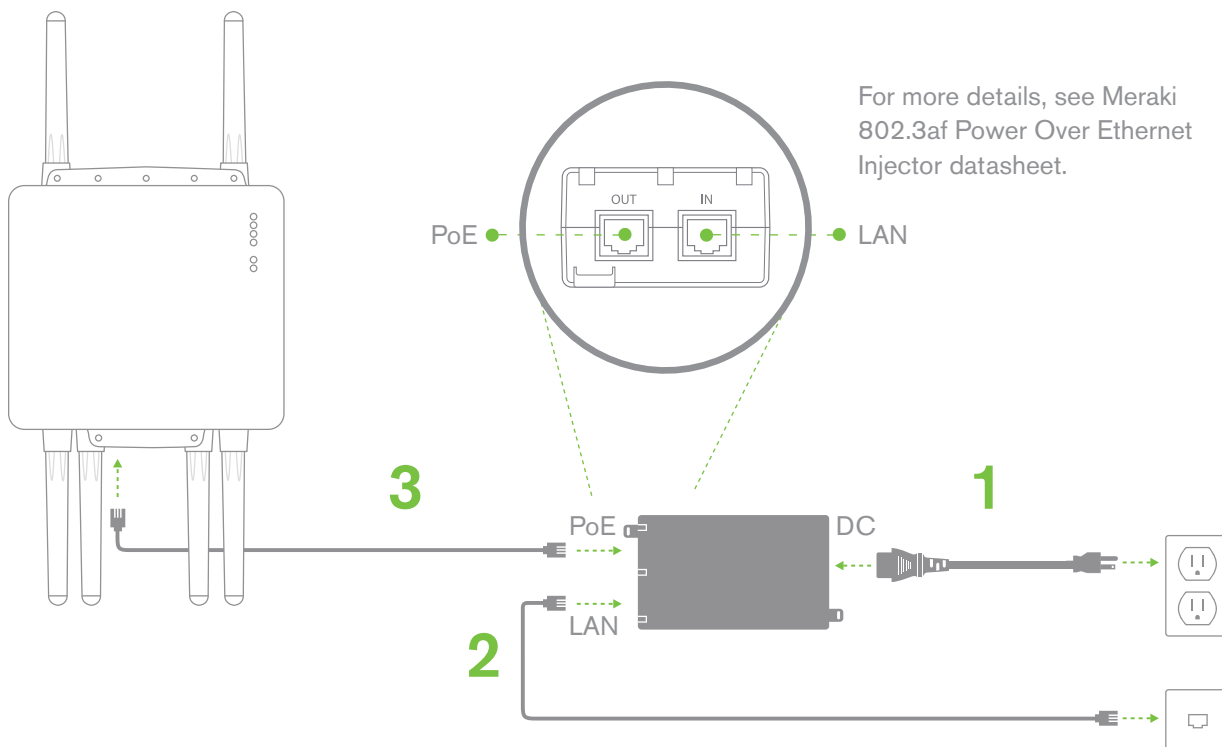
Remove protective plastic covers from all six N-type RF connectors.  
Attach appropriate antennas (and protective boots if included).



## Power the MR58

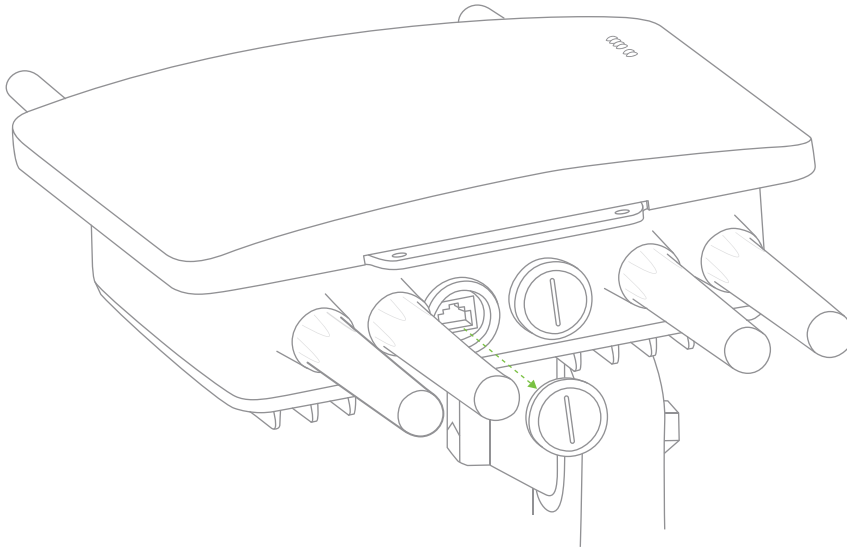
### Connect PoE Injector to Power and Ethernet

1. Plug the power cord into the PoE Injector and the other end into wall power in a weather-protected location. The PoE Injector is NOT weather-resistant and must be protected from moisture.
2. Plug an Ethernet cable that is connected to an active Ethernet connection into the "IN" port on the injector.
3. Connect Ethernet cable that will be routed to the MR58 to the "OUT" port on the injector.

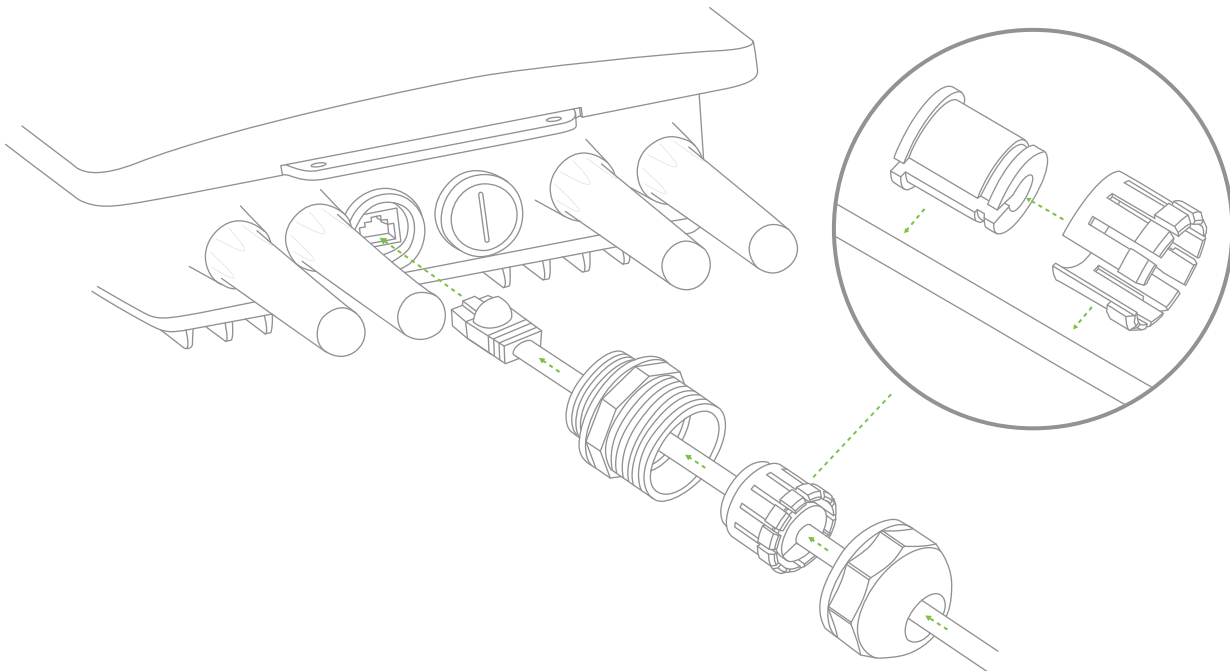


### Attach Power over Ethernet to MR58

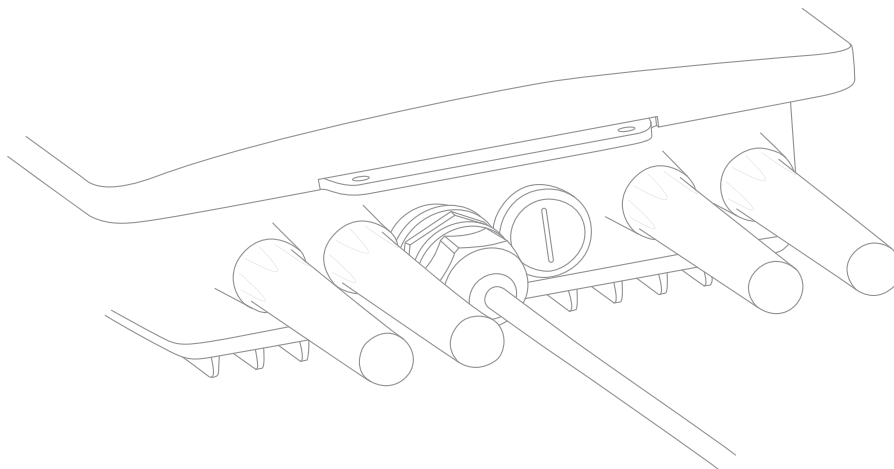
1. Remove the dust cover from the PoE+Eth0 port of the MR58. Unscrew it with a coin or flathead screwdriver.



2. Route the Ethernet cable from the PoE Injector "Out" port to the MR58.
3. Install a Cable Gland on the MR58 end of the cable.



4. Plug the Ethernet cable into the PoE+Eth0 port of the Meraki MR58.
  - a. Connect the cable to the port on the MR58.
  - b. Screw the gland body into the threaded hole of the port. Use an adjustable wrench to make sure the gland body is fully seated in the hole.
  - c. Insert the split ring gasket into the gland body.
  - d. Screw the cap tightly onto the gland. You may need a wrench to fully tighten the cap, but take care not to damage the cable in the process.

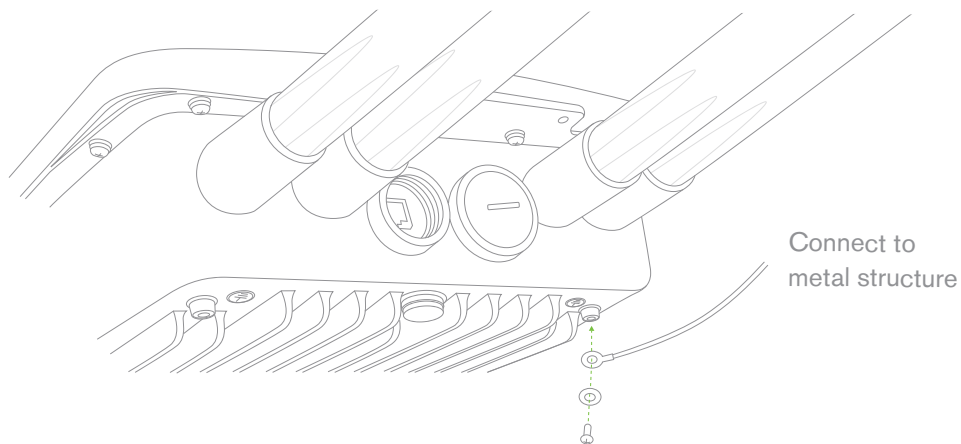


#### Optional: Make the MR58 a gateway

1. Connect an active internet connection to the “In” port of the PoE injector.

#### Attach Grounding Strap

Connect one end of grounding strap to grounding post with included screw and washer. Security attach the other end nearby metal structure.



## **Aim Antennas**

If you are using directional antennas, aim them appropriately to ensure optimal performance for your specific network topography.

## **Test Your Network**

Confirm that you have good signal strength throughout your coverage area. You can use the signal strength meter on a laptop.

## **Troubleshooting**

See the Meraki knowledge base at <http://meraki.com/help/kb> for additional information and troubleshooting tips.

## Regulatory Information

### U.S. Regulatory Wireless Notice

#### **Federal Communication Commission Interference Statement:**

This equipment has been tested and found to comply with the limits for a Class B digital device, pursuant to Part 15 of the FCC Rules. These limits are designed to provide reasonable protection against harmful interference in a residential installation. This equipment generates, uses and can radiate radio frequency energy and, if not installed and used in accordance with the instructions, may cause harmful interference to radio communications. However, there is no guarantee that interference will not occur in a particular installation. If this equipment does cause harmful interference to radio or television reception, which can be determined by turning the equipment off and on, the user is encouraged to try to correct the interference by one of the following measures:

- Reorient or relocate the receiving antenna.
- Increase the separation between the equipment and receiver.
- Connect the equipment into an outlet on a circuit different from that to which the receiver is connected.
- Consult the dealer or an experienced radio/TV technician for help.

#### **FCC Caution:**

Any changes or modifications not expressly approved by the party responsible for compliance could void the user's authority to operate this equipment.

This device complies with Part 15 of the FCC Rules. Operation is subject to the following two conditions:

- this device may not cause harmful interference, and
- this device must accept any interference received, including interference that may cause undesired operation.

#### **FCC Radiation Exposure Statement:**

This equipment complies with FCC radiation exposure limits set forth for an uncontrolled environment. This equipment should be installed and operated with minimum distance 46 cm between the radiator and your body. This transmitter must not be co-located or operating in conjunction with any other antenna or transmitter.

IEEE 802.11b or 802.11g operation of this product in the USA is firmware-limited to channels 1 through 11.

## Canadian Regulatory Wireless Notice

This device complies with RSS-210 of the Industry Canada Rules. Operation is subject to the following two conditions:

- this device may not cause interference and
- this device must accept any interference, including interference that may cause undesired operation of the device.

### IC Radiation Exposure Statement:

This equipment complies with IC radiation exposure limits set forth for an uncontrolled environment. This equipment should be installed and operated with minimum distance 20 cm between the radiator and your body.

This device is intended only for OEM integrators under the following conditions:

- the antenna must be installed such that 46 cm is maintained between the antenna and users, and
- the transmitter module may not be co-located with any other transmitter or antenna,
- for all products market in US/IC, OEM has to limit the operation channels in CH1 to CH11 for 2,4G band by supplied firmware programming tool. OEM shall not supply any tool or info to the end-user regarding to Regulatory Domain change.

As long as 3 conditions above are met, further transmitter test will not be required. However, the OEM integrator is still responsible for testing their end-product for any additional compliance requirements required with this module installed (for example, digital device emissions, PC peripheral requirements, etc.).

### Important Note:

In the event that these conditions can not be met (for example certain laptop configurations or co-location with another transmitter), then the FCC/IC authorization is no longer considered valid and the FCC/IC ID can not be used on the final product. In these circumstances, the OEM integrator will be responsible for re-evaluating the end product (including the transmitter) and obtaining a separate FCC/IC authorization.

### End Product Labeling:

This transmitter module is authorized only for use in device where the antenna may be installed such that 46 cm may be maintained between the antenna and users. The final end product must be labeled in a visible area with the following: "Contains FCC ID: UDX-62009015, IC: 6961A-62009015

### Manual Information To the End User:

The OEM inegrator has to be aware not to provide information to the end use regarding how to install or remove this RF module in the user's manual of the end product which integrates this module. The end user manual shall include all required regulatory information/warning as show in this manual.

## Europe – EU Declaration of Conformity

This device complies with the essential requirements of the R&TTE Directive 1999/5/EC.

The following test methods have been applied in order to prove presumption of conformity with the essential requirements of the R&TTE Directive 1999/5/EC:

Radio:	EN 300 328, EN 300 893, EN 302 502
EMC:	EN 301 489-1, EN 301 489-17
Safety:	EN 60950
RF Exposure:	EN 50392
Emissions:	EN 55022, EN 61000-3-2, EN 61000-3-3
Immunity:	EN 61000-3-2, EN 61000-3-3, EN 61000-4-2, EN 61000-4-3, EN 61000-4-4, EN 61000-4-5, EN 61000-4-6, EN 61000-4-11

This device is a 2.4 GHz and 5 GHz wideband transmission system (transceiver), intended for use in all EU member states and EFTA countries with the following restrictions:

In Italy the end-user should apply for a license at the national spectrum authorities in order to obtain authorization to use the device for setting up outdoor radio links and/or for supplying public access to telecommunications and/or network services.

This device may not be used for setting up outdoor radio links in France and in some areas the RF output power may be limited to 10 mW EIRP in the frequency range of 2454 - 2483 MHz. For detailed information the end-user should contact the national spectrum authority in France.

The device may not be used in the 5 GHz spectrum unless the 5.725 - 5.875 GHz and has been disabled. This can be done through the Meraki Dashboard.



### **Česky (Czech)**

Meraki, Inc. tímto prohlašuje, že tento wireless device je ve shodě se základními požadavky a dalšími příslušnými ustanoveními směrnice.

### **Dansk (Danish)**

Undertegnede Meraki, Inc. erklærer herved, at følgende udstyr wireless device overholder de væsentlige krav og øvrige relevante krav i direktiv 1999/5/EF.

### **Deutsch (German)**

Hiermit erklärt Meraki, Inc., dass sich das Gerät wireless device in Übereinstimmung mit den grundlegenden Anforderungen und den übrigen einschlägigen Bestimmungen der Richtlinie 1999/5/EG befindet.

### **Eesti (Estonian)**

Käesolevaga kinnitab Meraki, Inc. seadme wireless device vastavust direktiivi 1999/5/EÜ põhinõuetele ja nimetatud direktiivist tulenevatele.

### **English**

Hereby, Meraki, Inc., declares that this wireless device is in compliance with the essential requirements and other relevant provisions of Directive 1999/5/EC.

### **Español (Spanish)**

Por medio de la presente Meraki, Inc. declara que el wireless device cumple con los requisitos esenciales y cualesquiera otras disposiciones aplicables o exigibles de la Directiva 1999/5/CE.

### **Ελληνική (Greek)**

ΜΕ ΤΗΝ ΠΑΡΟΥΣΑ Meraki, Inc. ΔΗΛΩΝΕΙ ΟΤΙ wireless device ΣΥΜΜΟΡΦΩΝΕΤΑΙ ΠΡΟΣ ΤΙΣ ΟΥΣΙΩΔΕΙΣ ΑΠΑΙΤΗΣΕΙΣ ΚΑΙ ΤΙΣ ΛΟΙΠΕΣ ΣΧΕΤΙΚΕΣ ΔΙΑΤΑΞΕΙΣ ΤΗΣ ΟΔΗΓΙΑΣ 1999/5/EK.

### **Français (French)**

Par la présente Meraki, Inc. déclare que l'appareil wireless device est conforme aux exigences essentielles et aux autres dispositions pertinentes de la directive 1999/5/CE.

### **Italiano (Italian)**

Con la presente Meraki, Inc. dichiara che questo wireless device è conforme ai requisiti essenziali ed alle altre disposizioni pertinenti stabilite dalla direttiva 1999/5/CE.

### **Latviski (Latvian)**

Ar šo Meraki, Inc. deklarē, ka wireless device atbilst Direktīvas 1999/5/EK būtiskajām prasībām un citiem ar to saistītajiem noteikumiem.

**Lietuvių (Lithuanian)**

Šiuo Meraki, Inc. deklaruoja, kad šis wireless device atitinka esminius reikalavimus ir kitas 1999/5/EB Direktyvos nuostatas.

**Nederland (Dutch)**

Hierbij verklaart Meraki, Inc. dat het toestel wireless device in overeenstemming is met de essentiële eisen en de andere relevante bepalingen van richtlijn 1999/5/EG.

**Malti (Maltese)**

Hawnhekk, Meraki, Inc., jiddikjara li dan wireless device jikkonforma mal-ħtigijiet essenzjali u ma provvedimenti oħrajn relevanti li hemm fid-Dirrettiva 1999/5/EC.

**Magyar (Hungarian)**

Alulírott, Meraki, Inc. nyilatkozom, hogy a wireless device megfelel a vonatkozó alapvető követelményeknek és az 1999/5/EC irányelv egyéb előírásainak.

**Polski (Polish)**

Niniejszym Meraki, Inc. oświadcza, że wireless device jest zgodny z zasadniczymi wymogami oraz pozostałymi stosownymi

**Português (Portuguese)**

Meraki, Inc. declara que este wireless device está conforme com os requisitos essenciais e outras disposições da Directiva 1999/5/CE.

**Slovensko (Slovenian)**

Meraki, Inc. izjavlja, da je ta wireless device v skladu z bistvenimi zahtevami in ostalimi relevantnimi določili direktive 1999/5/ES.

**Slovensky (Slovak)**

Meraki, Inc. týmto vyhlasuje, že wireless device splna základné požiadavky a všetky príslušné ustanovenia Smernice 1999/5/ES.

**Suomi (Finnish)**

Meraki, Inc. vakuuttaa täten että wireless device tyyppinen laite on direktiivin 1999/5/EY oleellisten vaatimusten ja sitä koskevien direktiivin muiden ehtojen mukainen.

**Svenska (Swedish)**

Härmed intygar Meraki, Inc. att denna wireless device står i överensstämmelse med de väsentliga egenskapskrav och övriga relevanta bestämmelser som framgår direktiv 1995/5/EG.

